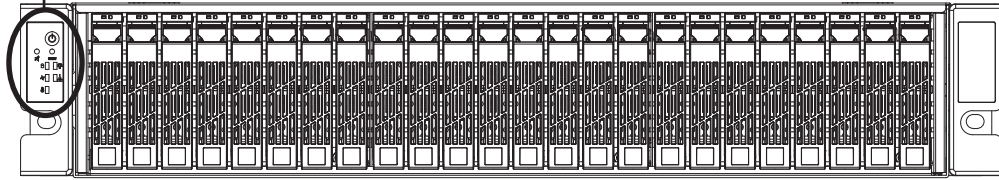
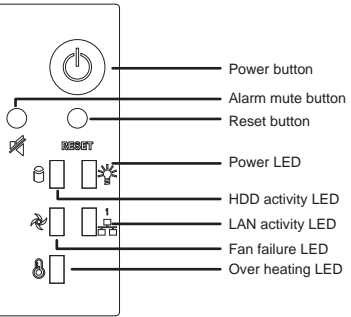
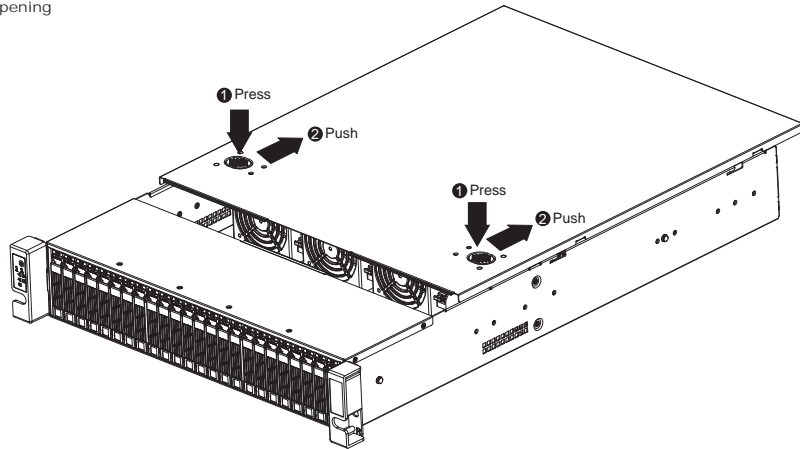


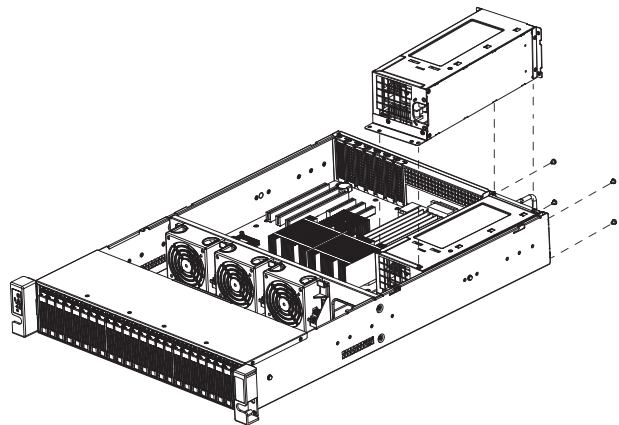
Front panel controls and indicators



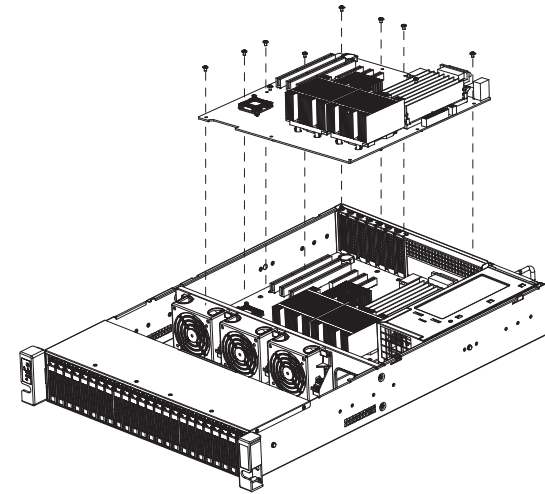
Top cover opening



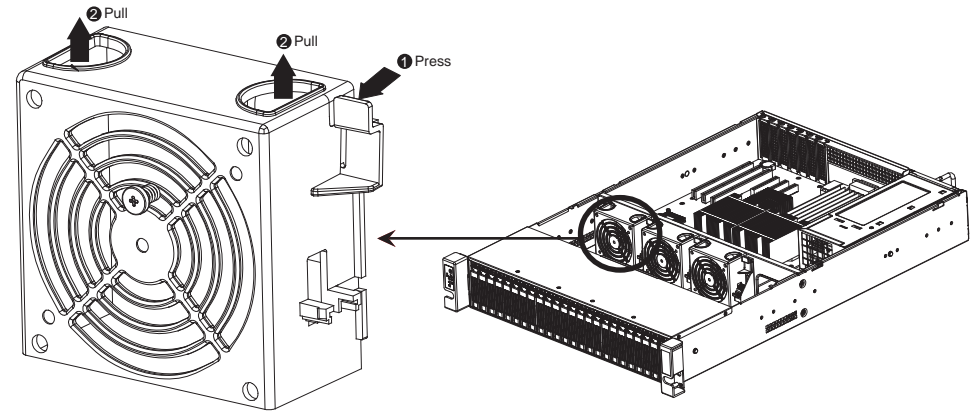
Installing power supply  
Fixed PSU bracket



Installing motherboard



Installing fan



Installing hard drive

